



Basket fans

Technical data

Voltage	U	230/400	V
Phase		3	~
Frequency	f	50	Hz
Speed	n	425	RPM
Power consumption	P _e	630	W
Nominal current	I _{nom}	2.5/1.4	A
Maximum current	I _{max}	2.6/1.5	A
Cos φ		0.65	
Capacitor		-	μF/V
Ambient temperature	T _{amb min/max}	-25...40	°C
Insulation Class		CL.F	
IP Class		IP55	
Sound pressure level (2 m)	L _{p (meas.)}	63	db(A)
Sound pressure level (7 m)	L _{p (calc.)}	52	db(A)
Weight		41.4	kg
Packing dimensions		561.5x1000x1000	mm

Fan details

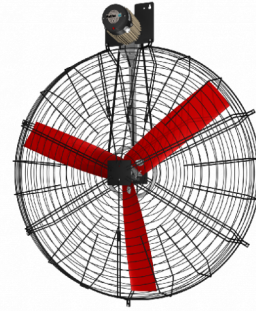
Impeller blades	3
Impeller type	10
Impeller system	N
Impeller material	PG

Control options

Triac controller	No
Transformer	Yes
Frequency drive	Yes

Characteristics

0 Pa	40100 m ³ /h
------	-------------------------



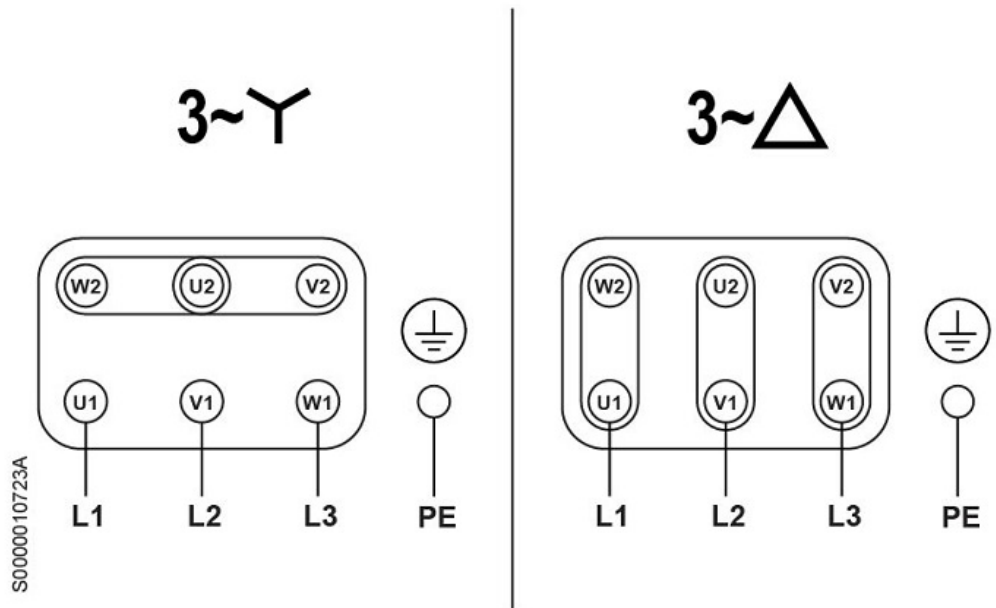
Please note: Picture may deviate from original product

Approval(s)



Wiring diagram

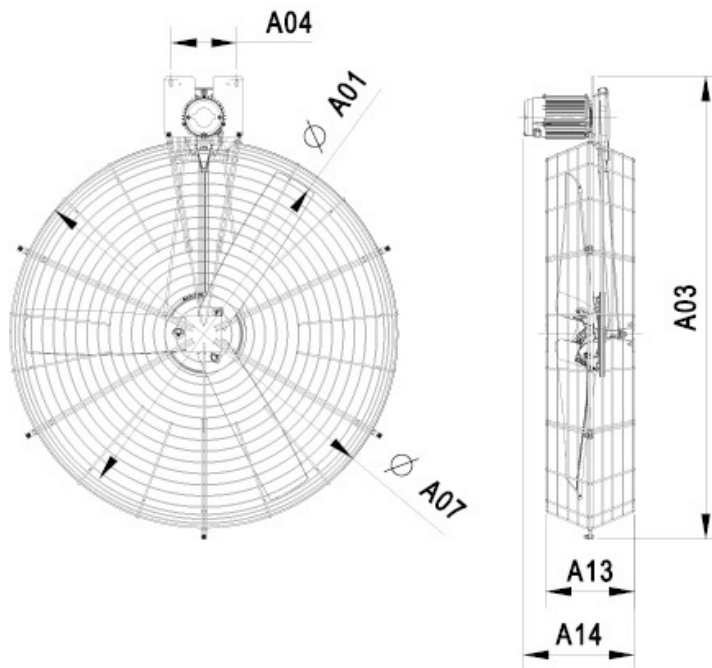
C11 - 3 Phase - Y connection - CCW



Article number: K4D13B1M11100

Basket fans

Dimensions



A01:	1284 mm
A03:	1662 mm
A04:	236 mm
A07:	1390 mm
A13:	320 mm
A14:	400 mm